

Product Information
World Heat Cylinders
Inline Volumiser
Buffer Vessels



WORLD HEAT
CYLINDERS



**High quality British
manufactured stainless steel
domestic hot water solutions
designed for any application.**

World Heat Cylinders manufacture a full range of inline volumisers specifically for connection to Air Source Heat Pump Systems.

All of our cylinders are manufactured from high quality Duplex stainless steel under an ISO9001 certified quality management system in our purpose made manufacturing facility in Manchester.

Key Features

- Volumiser for Heat Pumps
- 10L & 20L version available
- High quality duplex stainless steel material
- Highly Insulated with injection polyurethane insulation
- BSI audited ISO9001 Certified Quality Management
- Primary Pipe Work connections 28mm Compression

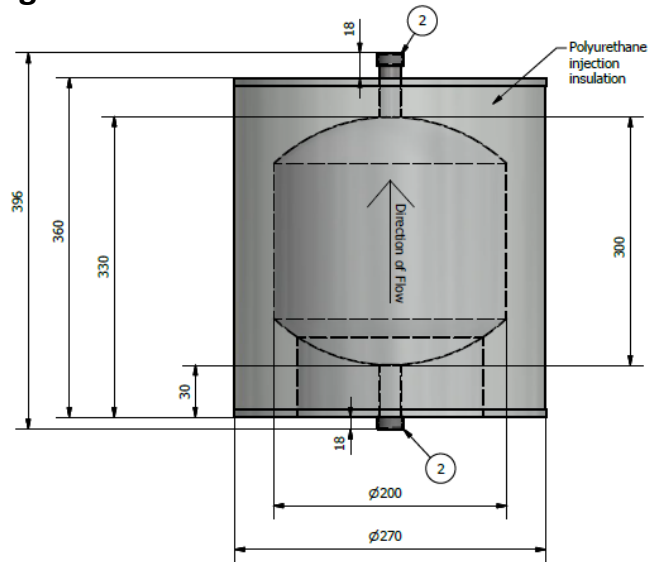


World Heat Cylinders
Unit 4
Tudor Industrial Estate
Ashton Street
Dukinfield
Cheshire
SK16 4RN

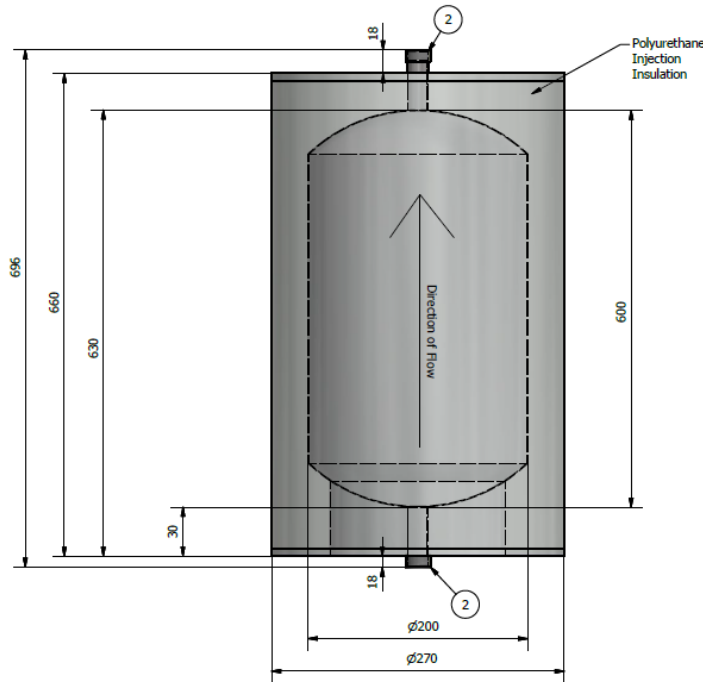
Tel: 0161 343 8610
Fax: 0161 343 5585
Email: sales@whcylinders.co.uk

Dimensional Drawings

UK.INLINE.10



UK.INLINE.20



All pictures shown are for illustration purpose only. Actual product may vary due to product enhancement

Model Reference		UK.INLINE.10	UK.INLINE.20
Nominal Capacity (Litres)		10	20
Overall Shipping Dimensions H x W x D (mm)		700x300x300	700x300x300
Overall Cylinder Dimensions H x W x D (mm)		396x270x270	696x270x270
Weights (kg)	Empty	7KG	10KG
	Full	17KG	30KG
	Packaged	8KG	11KG
Vessel Material		Duplex Stainless Steel	
Connection Size/Type		28mm Compression	
Insulation Type		Polyurethane (PU) Insulation with CO2 Blowing Agent	
Insulation Thickness		35mm	
Maximum working pressure		6 Bar G	
Maximum Flow Rate		60 litres per minute	
Standing Heat Loss (W)		18	22
ERP Rating		A	A
GWP of Insulation		0	0
ODP of Insulation		Less than 5	Less than 5

* Larger capacity volumisers and buffers up to 8,000litres are available on request

