

Product Information

WH Cylinders CLIMABUFF-SLIM 150L &180L Unvented Domestic Hot Water Cylinders



High quality British manufactured stainless steel domestic hot water solutions designed for any application.

Climabuff Slimline Stainless Steel Heat Pump Cylinder with Internal 25 Litre Buffer Vessel

Product Reference	Description	Coil Area
150CLIMABUFFSLIM	150 Litre Climabuff Slimline Heat Pump Cylinder with 25L Internal Buffer Vessel	2m ²
180CLIMABUFFSLIM	180 Litre Climabuff Slimline Heat Pump Cylinder with 25L Internal Buffer Vessel	2m ²

Tudor House
Tudor Industrial Estate
Ashton Street
Dukinfield
Cheshire
SK16 4RN



Tel: 0161 343 8610
Fax: 0161 826 1661
Email: sales@whcylinders.co.uk

WH Cylinders manufacture a full range of Unvented combined heat pump and buffer vessel in one integrated case.

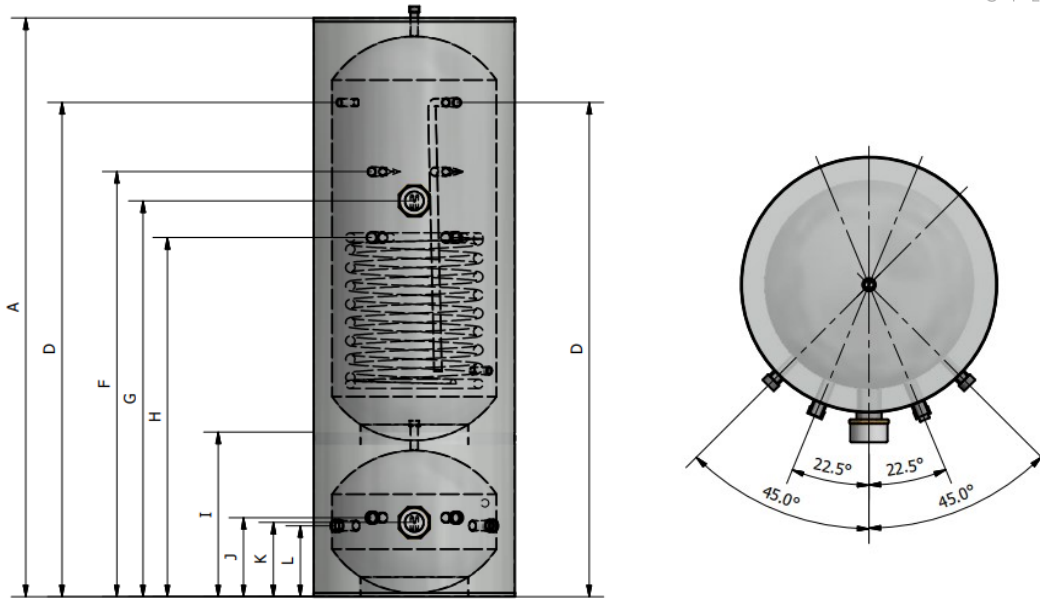
All of our cylinders are manufactured from high quality stainless steel under an ISO9001 certified quality management system in our purpose made manufacturing facility in Manchester.

Key Features

- Combined buffer vessel & cylinder
- High quality stainless steel
- 25 Year manufacturing warranty subject to annual maintenance.
- Highly insulated Part L compliant
- Full system unvented kits
- ISO9001 certified quality management
- Pre-plumbed models available

CLIMA-BUFF RANGE

WH Cylinders CLIMABUFF-SLIM 150L & 180L Unvented Domestic Hot Water Cylinders



Capacity	A (Overall Height)	B (Overall Diam)	C (Cold Feed)	D (T&P Valve)	E (Sec. Return)	F (Sensor Pocket)	G (Electric Heater)	H (Coils F & R)	I (Buffer Height)	J (Buffer F&R)	K (Buffer Heater)	L (Buffer F & R)
150L	1900	475	1683	1683	N/A	990	900	840	280	230	142	110
180L	2085	475	1868	1868	1868	990	900	840	280	230	142	110

Nominal capacity (Litres)	150	180	
Overall packaged dimensions H x W x D (mm)	2000x600x900	2100x600x900	
Approximate Weight (KG)	Empty	65.5	69.5
	Full	215.5	249.5
	Packaged	77	81
Control & relief valve pressure settings	Pressure Reducing & Relief Valve	3 Bar / 6 Bar	3 Bar / 6 Bar
	Exp Vessel	12L	12L
	T & P Valve	7 Bar	7 Bar
	Buffer Vessel Capacity	25 Litres	
Immersion Heater	1 x 3KW Single Phase - 230V - 50hz		
Cylinder Material	Duplex Stainless Steel		
Buffer Vessel Material	Stainless Steel		
Insulation Type	Polyurethane (PU) Insulation with CO2 Blowing Agent		
Insulation thickness (mm)	50	50	
Standing heat loss	62	65	
GWP of Insulation	Less than 5	Less than 5	
ODP of Insulation	0	0	
ERP Rating	C	C	

