

Product Information

WH Cylinders CLIMA-BUFF 150L—300L Unvented Domestic Hot Water Cylinders



High quality British manufactured stainless steel domestic hot water solutions designed for any application.

Climabuff Stainless Steel Heat Pump Cylinder with Internal 50L Buffer Vessel

Product Reference	Description	Coil Area
150CLIMABUFF	150 Litre Heat Pump Cylinder with Internal 50L Buffer Vessel	2m ²
180CLIMABUFF	180 Litre Heat Pump Cylinder with Internal 50L Buffer Vessel	2m ²
210CLIMABUFF	210 Litre Heat Pump Cylinder with Internal 50L Buffer Vessel	3m ²
250CLIMABUFF	250 Litre Heat Pump Cylinder with Internal 50L Buffer Vessel	3m ²
300CLIMABUFF	300 Litre Heat Pump Cylinder with Internal 50L Buffer Vessel	3m ²

Tudor House
Tudor Industrial Estate
Ashton Street
Dukinfield
Cheshire
SK16 4RN



Tel: 0161 343 8610
Fax: 0161 826 1661
Email: sales@whcylinders.co.uk

WH Cylinders manufacture a full range of Unvented combined heat pump and buffer vessel in one integrated case.

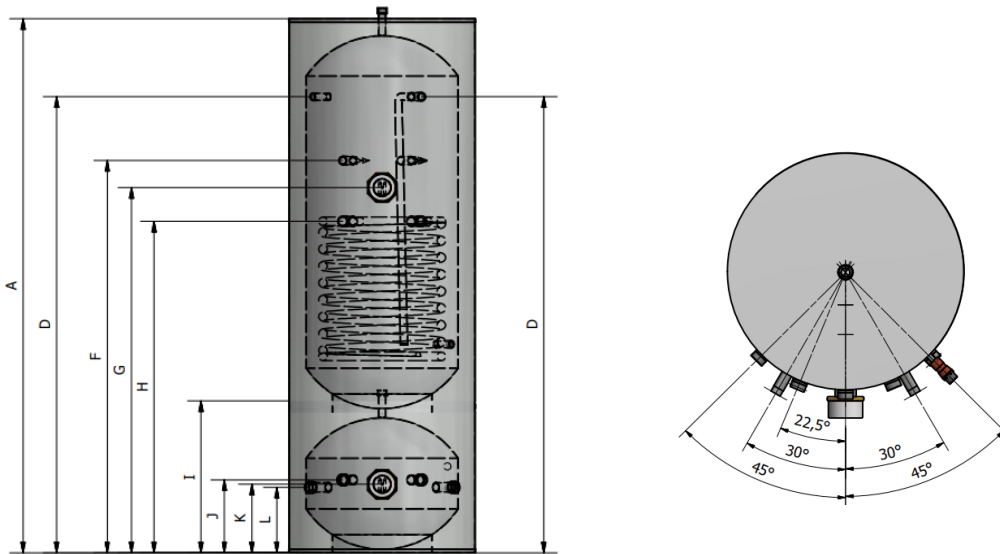
All of our cylinders are manufactured from high quality stainless steel under an ISO9001 certified quality management system in our purpose made manufacturing facility in Manchester.

Key Features

- **Combined buffer vessel & cylinder**
- **High quality stainless steel**
- **25 Year manufacturing warranty subject to annual maintenance**
- **Highly insulated Part L compliant**
- **Full system unvented kits**
- **ISO9001 certified quality management**
- **Pre-plumbed models available**

CLIMA-BUFF RANGE

WH Cylinders CLIMA-BUFF 150L—300L Unvented Domestic Hot Water Cylinders



Capacity	A (Overall Height)	B (Overall Diam)	C (Cold Feed)	D (T&P Valve)	E (Sec. Return)	F (Sensor Pocket)	G (Electric Heater)	H (Coils F & R)	I (Buffer Height)	J (Buffer F&R)	K (Buffer Heater)	L (Buffer F & R)	
150L	1505	550	1295	1295	1295	1095	1015	915	350	230	147	110	
180L	1630	550	1403	1403	1403	1095	1015	915	350	230	147	110	
210L	1820	550	1599	1599	1599	1095	1015	915	350	230	147	110	
250L	2020	550	1790	1790	1790	1095	1015	915	350	230	147	110	
300L	2020	600	1785	1785	1785	1325	1225	1155	440	250	225	200	
Nominal capacity (Litres)				150		180		210		250		300	
Overall packaged dimensions H x W x D (mm)				1605x600x900		1730x600x900		1920x600x900		2120x600x900		2120x600x900	
Approximate Weight (KG)		Empty	65.5	69.5	75	81	88						
		Full	215.5	249.5	285	331	388						
		Packaged	77	81	86	92	99						
Control & relief valve pressure settings		Pressure Reducing & Relief Valve	3 Bar / 6 Bar		3 Bar / 6 Bar		3 Bar / 6 Bar		3 Bar / 6 Bar		3 Bar / 6 Bar		
		Exp Vessel	12L	12L	18L	18L	24L						
		T & P Valve	7 Bar	7 Bar	7 Bar	7 Bar	7 Bar						
Buffer Vessel Capacity		50 Litres / 100 Litres (Dimensions will differ on 100L buffer)											
Immersion Heater		1 x 3KW Single Phase - 230V - 50hz											
Cylinder Material		Duplex Stainless Steel											
Buffer Vessel Material		Stainless Steel											
Insulation Type		Polyurethane (PU) Insulation with CO2 Blowing Agent											
Insulation thickness (mm)		50	50	50	50	50							
Standing heat loss		55.8	58.3	76	86	96							
GWP of Insulation		Less than 5		Less than 5		Less than 5		Less than 5		Less than 5			
ODP of Insulation		0		0		0		0		0			
ERP Rating		B		B		C		C		C			

